

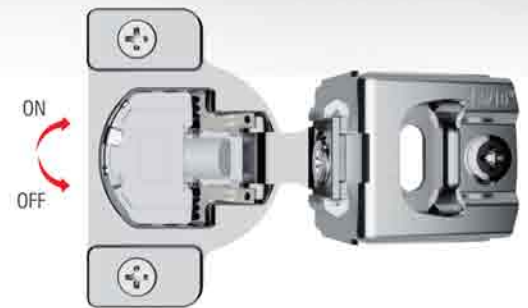


9255

6 Way Adjustable Soft Close Face-Framed Hinge

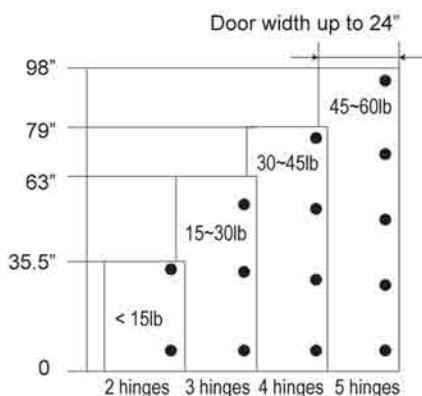
Our 6-way adjustable soft closing functional hinge can be easily activated by the switch mechanism. It provides users for both soft-closing and non soft-closing options according to their preference. The quiet hinge operation makes your dream kitchen even more convenient and friendly. Additionally, the 6 way fine-tuning adjustment decrease error when installing, at the same time increase assembly efficiency.

King Slide is always dedicated in continuous creation of variety products to enhance better life quality you deserve.



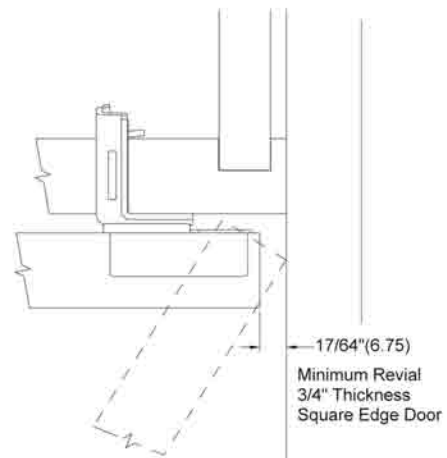
- Switch on the hinge cup to trigger soft close.
- "OFF" is to deactivate the soft close function

Number of Hinges Per Door



Hinge Qty	2	3	4	5
Load Capacity	<15lbs	15~30lbs	30~45lbs	45~60lbs

Minimum Revial



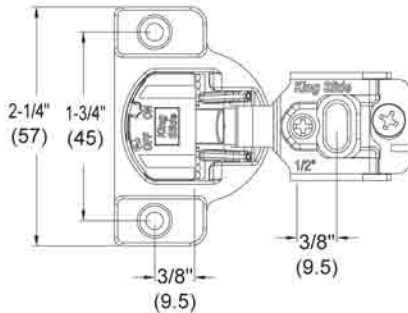


9255-A2 Partial Overlay Hinge

- **Cup Diameter:** 35mm(1-3/8")
- **Cup Depth:** 11mm (7/16")
- **Opening:** 105 °
- **Finish:** Nickel-plated
- **Material:** Cold rolled steel
- **Overlay:** 5/16" (7.9mm), 3/8" (9.5mm), 7/16" (11.1mm), 1/2" (12.7mm), 9/16" (14.3mm), 5/8" (15.9mm), 3/4"(19.1mm)

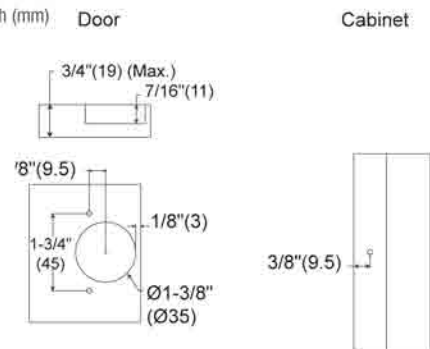
Overall Dimension

Unit: inch (mm)



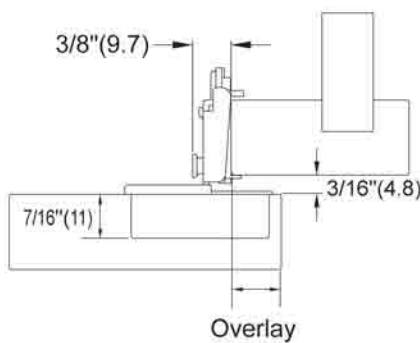
Boring Pattern

Unit: inch (mm)



Door Overlay

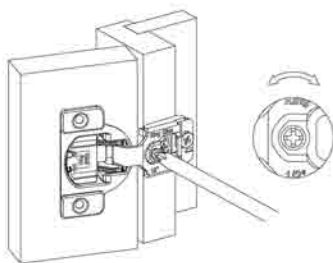
Unit: inch (mm)



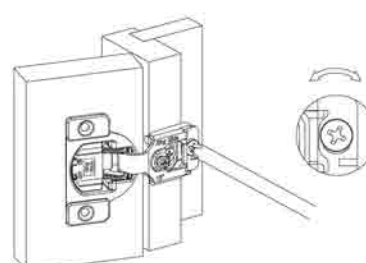
Item No.	Wood Screw (Without Dowel)	Knock-in Dowel
9255-A2		
Overlay inch (mm)	Model No.	Model No.
5/16" (7.9)	9255-A22E-NZH.554C	9255-A23E-NZH.554C
3/8" (9.5)	9255-A22F-NZH.554C	9255-A23F-NZH.554C
7/16" (11.1)	9255-A22G-NZH.554C	9255-A23G-NZH.554C
1/2" (12.7)	9255-A22H-NZH.554C	9255-A23H-NZH.554C
*1/2" (12.7)	9255-A22H-NZH.552C	9255-A23H-NZH.552C
9/16" 14.3	9255-A22I-NZH.554C	9255-A23I-NZH.554C
5/8" (15.9)	9255-A22J-NZH.554C	9255-A23J-NZH.554C
3/4" (19.1)	9255-A22L-NZH.554C	9255-A23L-NZH.554C

* Available as edge mount hinge

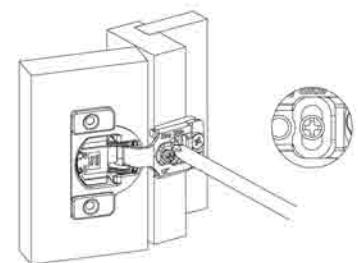
Assembly and Adjustment



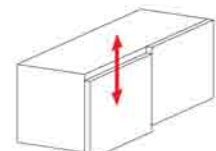
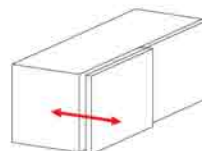
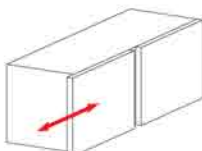
Side adjustment L 3/32"(2.5mm)
R 3/32"(2.5mm)



Depth adjustment In 1/32"(0.5mm)
Out 3/32"(2.5mm)



Height adjustment Up 1/8"(3mm)
Down 1/8"(3mm)



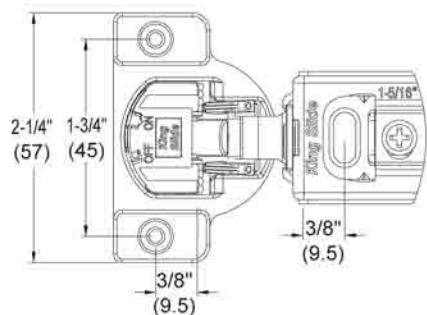


9255-B2 Full Overlay Hinge

- **Cup Diameter:** 35mm(1-3/8")
- **Cup Depth:** 11mm (7/16")
- **Opening:** 105 °
- **Finish:** Nickel-plated
- **Material:** Cold rolled steel
- **Overlay:** 1" (25.4mm), 1-1/4" (31.7mm), 1-5/16" (33.3mm), 1-7/16" (36.5mm), 1-1/2" (38.1mm) , 1-9/16" (39.7mm)

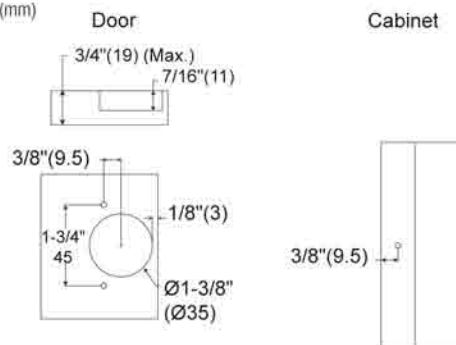
Overall Dimension

Unit: inch (mm)



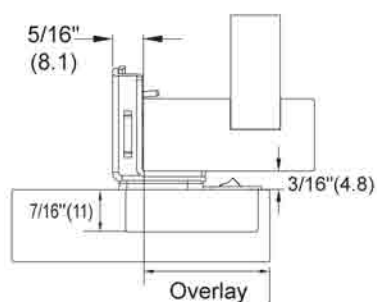
Boring Pattern

Unit: inch (mm)



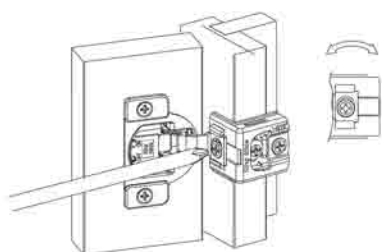
Door Overlay

Unit: inch (mm)

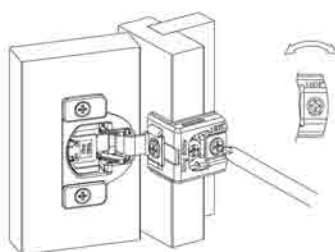
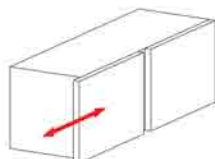


Item No.	Wood Screw (Without Dowle)	Knock-in Dowel
9255-B2		
Overlay inch (mm)	Model No.	Model No.
1" (25.4mm)	9255-B22P-NZH.553C	9255-B23P-NZH.553C
1-1/4" (31.7mm)	9255-B22D-NZH.553C	9255-B23D-NZH.553C
1-5/16" (33.3mm)	9255-B22E-NZH.553C	9255-B23E-NZH.553C
1-3/8" (34.9mm)	9255-B22F-NZH.553C	9255-B23F-NZH.553C
1-7/16" (36.5mm)	9255-B22G-NZH.553C	9255-B23G-NZH.553C
1-1/2" (38.1mm)	9255-B22H-NZH.553C	9255-B23H-NZH.553C
1-9/16" (39.7mm)	9255-B22I-NZH.553C	9255-B23I-NZH.553C

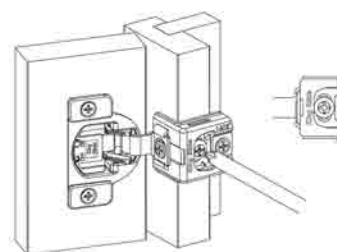
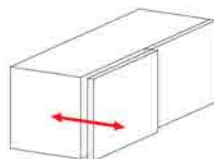
Assembly and Adjustment



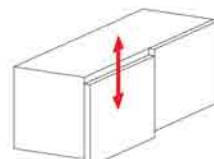
Side adjustment
L 1/16" (1.5mm)
R 1/16" (1.5mm)



Depth adjustment
In 1/32" (0.5mm)
Out 3/32" (2.5mm)



Height adjustment
Up 1/8" (3mm)
Down 1/8" (3mm)



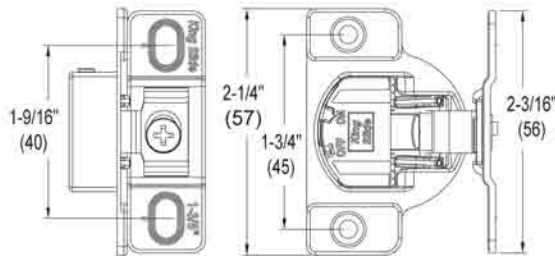


9255-C2 Full Overlay Hinge (four way adjustment)

- **Cup Diameter:** 35mm(1-3/8")
- **Cup Depth:** 11mm (7/16")
- **Opening:** 105 °
- **Finish:** Nickel-plated
- **Material:** Cold rolled steel
- **Overlay:** 1-3/8" (25.4mm)

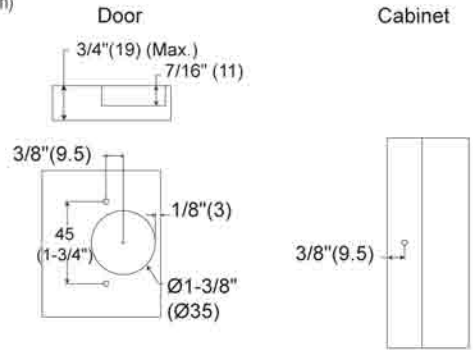
Overall Dimension

Unit: inch (mm)



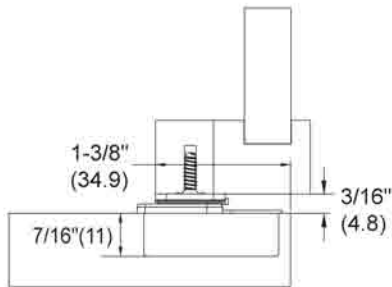
Boring Pattern

Unit: inch (mm)



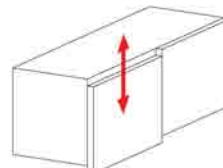
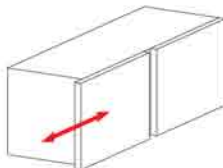
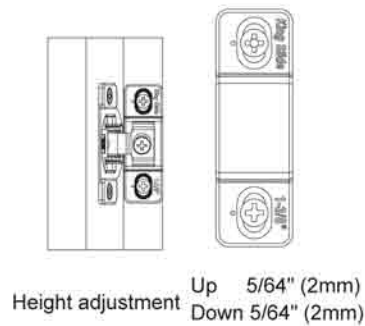
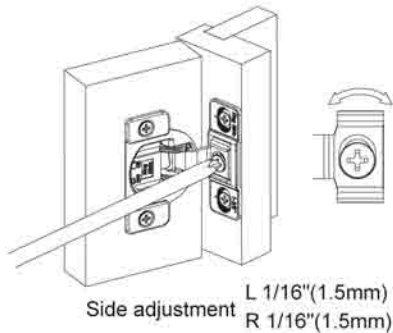
Door Overlay

Unit: inch (mm)



Item No.	Wood Screw (Without Dowle)	Knock-in Dowel
9255-C2		
Overlay Inch (mm)	Model No.	Model No.
1-3/8" (33.8mm)	9255-C22F-NZH.551C	9255-C23F-NZH.551C

Assembly and Adjustment



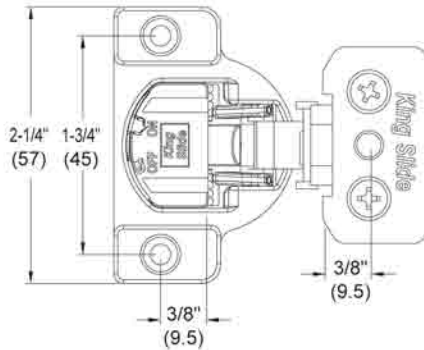


9255-D2 Full Overlay Hinge

- **Cup Diameter:** 35mm(1-3/8")
- **Cup Depth:** 11mm (7/16")
- **Opening:** 105 °
- **Finish:** Nickel-plated
- **Material:** Cold rolled steel
- **Overlay:** 1" (2.54mm), 1-1/4" (31.7mm), 1-5/16" (33.3mm), 1-3/8" (34.9mm), 1-7/16" (36.5mm), 1-1/2" (38.1mm), 1-9/16" (39.7mm)

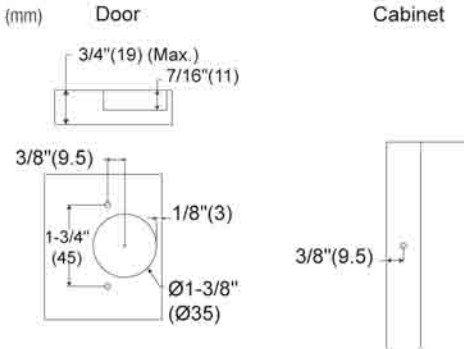
Overall Dimension

Unit: inch (mm)



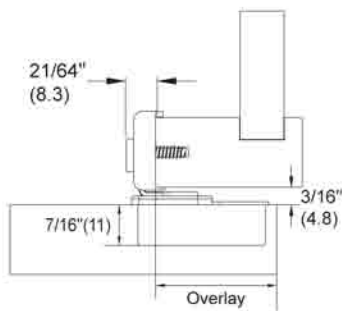
Boring Pattern

Unit: inch (mm)



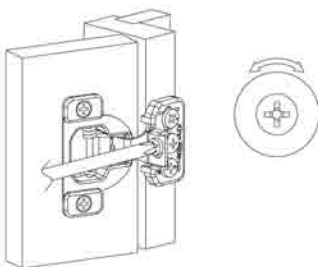
Door Overlay

Unit: inch (mm)

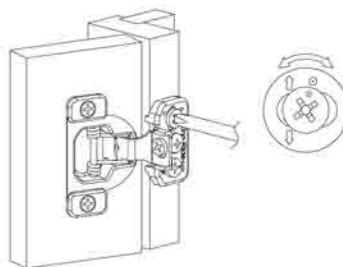


Item No.	Wood Screw (Without Dowel)	Knock-in Dowel
9255-D2		
Overlay Inch (mm)	Model No.	Model No.
1" (25.4mm)	9255-D22P-NZH.581C	9255-D23P-NZH.581C
1-1/4" (31.7mm)	9255-D22D-NZH.581C	9255-D23D-NZH.581C
1-5/16" (33.3mm)	9255-D22E-NZH.581C	9255-D23E-NZH.581C
1-3/8" (34.9mm)	9255-D22F-NZH.581C	9255-D23F-NZH.581C
1-7/16" (36.5mm)	9255-D22G-NZH.581C	9255-D23G-NZH.581C
1-1/2" (38.1mm)	9255-D22H-NZH.581C	9255-D23H-NZH.581C
1-9/16" (39.7mm)	9255-D22I-NZH.581C	9255-D23I-NZH.581C

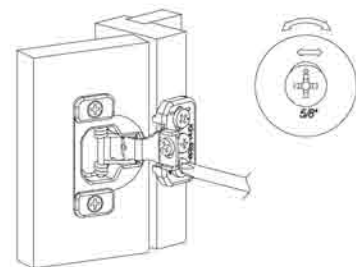
Assembly and Adjustment



Adjustment: L 1/16"(1.5mm)
R 1/16"(1.5mm)



Adjustment: In 1/32"(0.5mm)
Out 3/32"(2.5mm)



Adjustment: Up 5/64" (2.0mm)
Down 5/64" (2.0mm)

